

VST-IPR8050APBN-VZ

5MP IR Motorized Varifocal Bullet Network Camera



Key Features

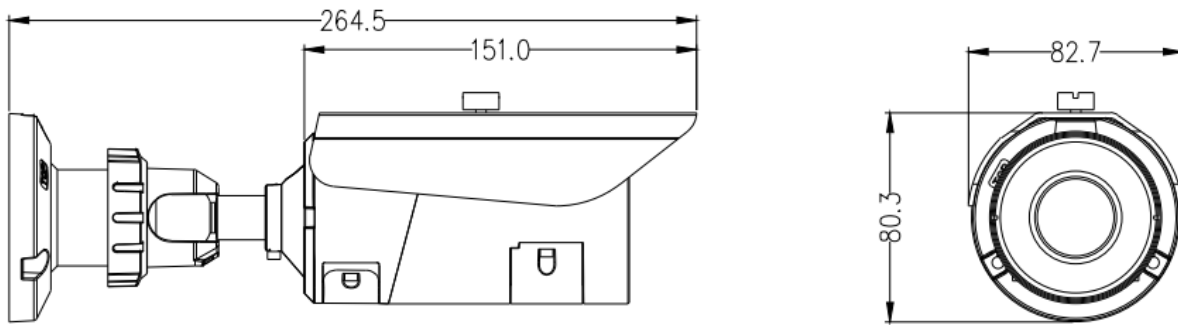
- 1/2.8" progressive scan CMOS
- Max. 5MP(2592×1944) @25/30fps resolution
- 2.7 to 12mm motorized lens
- Support face, human, vehicle detection and capture
- Intelligent analysis: intrusion, single line crossing, double line crossing, loitering, wrong-way and people counting
- WDR, 3D DNR, ROI, Defog, HLC
- Built-in SD card slot
- Smart IR distance up to 40 m
- IP67

Specification

Camera	
Image Sensor	1/2.8" Progressive Scan CMOS
Max. Resolution	5MP, 2592(H) × 1944(V)
Electronic Shutter	Auto/Manual, 1/5 to 1/20,000s
Min. illumination	Color: 0.03 Lux @ (F1.6, AGC ON) , B/W: 0 Lux with IR
Day & Night	Auto (ICR)
Angle Adjustment	Pan: 0° to 360°, Tilt: 0° to 90°, Rotation: 0° to 360°
Lens	
Lens Type	Motorized focus
Iris	DC-Iris
Focal Length	2.7 to 12mm
F Number	F1.6 to F2.9
Angle of View	H: 100.2° to 31.1°, V: 71.6° to 23.2°
Illuminator	
IR Distance	Up to 40m (131.2ft)
IR On/Off Control	Auto/Manual
Video	
Streaming Capability	3 Streams
Stream/Frame Rate	Stream1: 2592×1944, 2592×1520, 1920×1080, 1280×720 @25/30fps Stream2: 1920×1080,D1, VGA, CIF @25/30fps Stream3: 1280×720,VGA, CIF, QVGA @25/30fps
Bit Rate Control	CBR/VBR
Bit Rate	Stream1: 200kbps to 12Mbps Stream2: 100kbps to 6Mbps Stream3: 100kbps to 3Mbps
Smart Encoder	Support
Region of Interest (ROI)	Off/On (8 Zone, Rectangle)
Audio	
Compression	G.711, RAW_PCM
Bit Rate	64Kbps (G.711), 128Kps (RAW_PCM)
Image	
Image Adjustment	Brightness, Sharpness, Contrast, Saturation adjustable
Aisle Mode	Support
Mirror	Support
White Balance	Auto/Manual
Day/Night Setting	Auto, Day, Night, Time
Smart IR	Support
Noise Reduction	2D/3D DNR
Image Enhancement	HLC, BLC, Defog
Wide Dynamic Range	True WDR

S/N Ratio	55dB
Motion Detection	Support
Privacy Masking	Support
Smart Function	
Multi-Object Detection	Supports face, human, vehicle detection and capture
Intelligent Analysis	Intrusion, Single line crossing, Double line crossing, Loitering, Wrong-way Support alarm triggering by specified target types (human and vehicle).
People Counting	Support
Network	
Protocols	IPv4/IPv6, HTTP, HTTPS, TCP/UDP, RTSP/RTCP/RTP, DHCP, DNS, DDNS, PPPoE, SMTP, 802.1x, UPnP, FTP, NTP, ARP, SNMP, TLS/SSL
Interoperability	ONVIF, SDK, CGI
Streaming Method	Multicast
Max. User Access	10 Users
Web Viewer	<IE11, Chrome, Firefox
Language	English, Chinese, Polish, Italian, Portuguese, Spanish, Russian, French, Czech, Hungarian. Default: English
Interface	
Network Interface	1 Ethernet (10/100 Base-T) RJ-45 Connector
Audio Interface	N/A
Alarm Interface	N/A
Reset Button	Support
SD Card Slot	Built-in, up to 256GB
Electrical	
Power Supply	DC12V (-15% to +25%)/PoE (IEEE 802.3af)
Power Consumption	Max. 13 W
Operating Temperature	-40°C to 55°C (-40°F to 131°F)
Operating Humidity	Less than 90% RH
Ingress Protection	IP67
Certifications	CE/FCC
Casing	Metal
Dimensions	264.5 × 82.7 × 80.3 mm (10.41" × 3.56" × 3.16")
Net Weight	0.83Kg (1.83lb)

Dimensions (mm)



Accessories

Optional:



VST-CBK649B
Junction Box



VST-CBK627D
Pole Mount