

# VST-TPC4233DJT-F

Bi-spectrum Network Bullet Camera



**Human  
Detection**



**Vehicle  
Detection**



**Smoking  
Detection**



**Fire/Smoke  
Detection**



**Fire spot  
Detection**

## Key Features

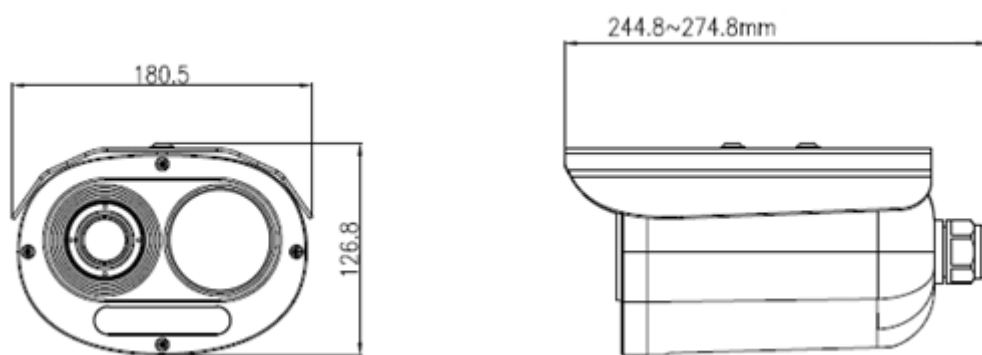
- VOx uncooled focal plane detector with 400x300 resolution
- Thermal: 8/15/25/35/50 mm manual lens, optical: 5~50mm motorized lens
- Support humanoid, vehicle and fire point detection
- Intelligent analysis: intrusion, single line crossing, double line crossing, loitering, wrong way, people counting, enter area, leave area
- Support temperature monitoring and exception alarm
- Support 3 temperature measurement rule types (point, Line, area)
- Image processing technology: DVE, 3D DNR, WDR
- IR distance up to 100m
- IP66

# Specification

Thermal Module					
Image Sensor	Vanadium Oxide Uncooled Focal Plane Arrays				
Resolution	Sensor is 400x300, Image can be scaled up to 704x576				
Pixel Pitch	17um				
Spectral Range	8~14um				
Thermal Sensitivity (NETD)	≤ 40mK				
Lens Type	Fixed, F1.0				
Focus Control	Manual focus				
Focal Length	8 mm	15 mm	25 mm	35 mm	50 mm
F No.	F1.0	F1.0	F1.0	F1.0	F1.0
Angle of View	H: 46°, V:35.3°	H:25.5°, V:19.2°	H:15.4°, V:11.6°	H: 11°, V:9°	H: 7.7°, V:5.8°
Detection Distance (Fire: 1x1m)	235 m	441 m	735 m	1029 m	1471 m
Detection Distance (Humans: 1.8x0.5m)	235 m	441 m	735 m	1029 m	1471 m
Detection Distance (Vehicles: 4x1.5m)	722 m	1353 m	2255 m	3137 m	4510 m
Recognition Distance (Human: 1.8x0.5m)	59 m	110 m	184 m	257 m	368 m
Recognition Distance (Vehicle: 4x1.5m)	180 m	338 m	564 m	789 m	1127 m
Optical Module					
Image Sensor	1/2.8" CMOS				
Resolution	1920(H)x1080(V)				
Shutter Speed	1/5 ~ 1/20,000s				
Wide Dynamic Range	True WDR 120dB				
Min. Illumination	Color: 0.1Lux @(F1.2, AGC ON) B/W: 0.01Lux @(F1.2, AGC ON)				
S/N Ratio	More than 60dB				
Focal Length	5~50mm				
Angle of View	H: 50.85°~7.67°, V: 27.78°~4.36°				
Illuminator					
IR Distance	Up to 100m (328.0 ft)				
Video and Audio					
Main Stream	Optical: 1920x1080, 1280x720 @25/30fps Thermal: D1 (704x576) @25/30fps				
Sub Stream	Optical: D1, VGA, 640x360, CIF, QVGA @25/30fps Thermal: CIF @25/30fps				
Bit Rate Control	CBR/VBR				
Bit Rate	Main Stream: Optical: 100Kbps~12Mbps, Thermal: 100Kbps~6Mbps Sub Stream: Optical: 100Kbps~6Mbps, Thermal: 10Kbps~1.5Mbps				
Region of Interest	Off / On (8 Zone, Rectangle)				
Smart Encode	Support				
Audio Compression	G.711: 8kbps, RAW_PCM: 16kbps				
Image					
Image Setting	Brightness, Sharpness, Contrast, Saturation				
Mirror	Support				

Pseudo-color Setting	White-hot/Black-hot/Rainbow/Ironbow etc. up to 17 modes (Thermal)
DVE Image Enhance	Support (Thermal)
Noise Reduction	2D/3D DNR
Privacy Masking	Support
Motion Detection	Support
Smart Function	
Smart Function	Temperature measurement, human detection and vehicle detection
Advanced Intelligence Analysis	Smoker detection, Smoke and Flame detection, fire point detection
Intelligent Analysis	Intrusion, Single line crossing, Double line crossing, Loitering, Wrong way, Enter area, Leave area (these 7 function support accurate detection of people/vehicles), People counting
Temperature Measurement	3 temperature measurement rule types, 20 rules in total, 1 full screen, 19 others (points, areas, line).
Temperature Alarm	Over temperature alarm, Temperature difference alarm
Accuracy	±2°C / ±2%
Response Time	≤ 30ms
Temperature Measurement Range	-20°C ~ 150°C (-4°F ~ 302°F)
Network	
Protocols	IPv4/IPv6, HTTP, RTSP, RTP, RTCP, TCP, UDP, DHCP, DNS, PPPOE, SMTP, 802.1x
Interoperability	ONVIF
Max. User Access	10 Users
Web Viewer	<IE11, Chrome, Firefox, Microsoft Edge
Web Language	English, Chinese, Polish, Italian, Portuguese, Spanish, Russian, French, Czech, Hungarian
Interface	
Network Interface	1 Ethernet (10/100 Base-T) RJ-45 Connector
Audio Interface	1ch input, 1ch output
Alarm Interface	2ch input, 2ch output
RS485	Support
Reset Button	Support
General	
Power Supply	DC12V±10% /POE+ (IEEE 802.3at)
Power Consumption	Without heating: Max 10W, Including heating: Max 24W
Working Temperature	-40°C ~ 60°C (-40°F ~ 140°F)
Storage Conditions	0 ~ 90% RH
Certifications	CE /FCC
Ingress Protection	IP66
Casing	Metal
Dimensions	(244.8~274.8)x180.5x126.8 mm (9.64~10.82 x 7.11 x 4.99 inch)
Net Weight	2.5 Kg (5.51 lb)

## Dimensions (mm)



## Accessories

Optional:



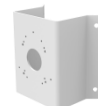
VST-BK346  
Wall bracket



VST-BK350  
Ceiling Bracket



VST-CBK101A  
Pole Mount



VST-CBK102A  
Corner Mount