

# VST-IPC8055HAN/F

## 5MP Box Network Camera



### Key Features

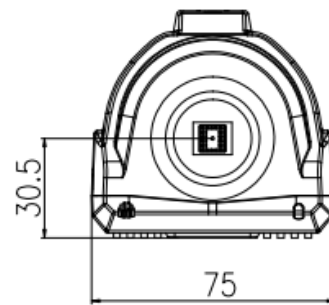
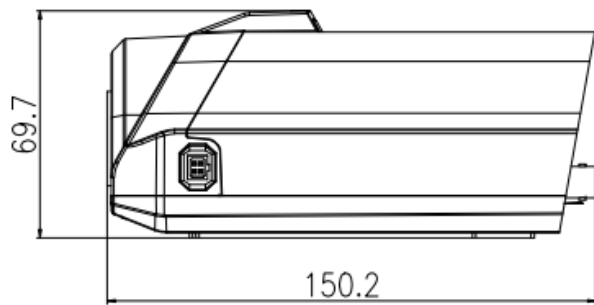
- 1/2.8" progressive scan CMOS
- 30fps @ 5MP(2592×1944)
- Quad streams, Triple power supply
- WDR, 3D DNR, ROI, Defog, HLC
- Auto back focus (ABF)
- Support EIS(AntiShake) function
- Support face, human, vehicle detection
- Intelligent detection: Perimeter, Single Virtual Fence, Double Virtual Fences, Loiter, Multi Loiter, Object Left, Object Removed, Abnormal Speed, Converse, Illegal Parking, Signal Bad

# Specification

Camera	
Image Sensor	1/2.8" Progressive Scan CMOS
Effective Pixels	2592(H)x1944(V)
Electronic Shutter	Auto/Manual, 1/5 ~ 1/20,000s
Min. illumination	Color: 0.03 Lux @ (F1.6, AGC ON) , B/W: 0 Lux @ (IR LED ON)
S/N Ratio	55dB
Day/Night	Auto(ICR)
Wide Dynamic Range	WDR
IR Range	N/A
IR On/Off Control	N/A
Auto Back Focus	Support
Lens	
Focal Length	CS Mount, C Mount
Iris	Fixed Iris lens supported
Focal Length	N/A
F Number	N/A
Angle of View	N/A
Focus Control	N/A
Video	
Max. Resolution	5MP (2592x1944)
Streaming Capability	3 Streams
Stream/Frame Rate	Stream1: 2592x1944, 2592x1520, 1920x1080, 1280x720 @ 25/30fps Stream2: D1, VGA, CIF @ 25/30fps Stream3: VGA, CIF, QVGA @25/30fps
Bit Rate Control	CBR/VBR
Bit Rate	Stream1: 200kbps~12Mbps Stream2: 100kbps~6Mbps Stream3: 100kbps~3Mbps
Image Enhancement	HLC/BLC/Defog
White Balance	Auto
Gain Control	Auto/Manual
Mirror	Support
Noise Reduction	2D/3D DNR
Aisle Mode	Support
Region of Interest	Off/On (8 Zone, Rectangle)
Motion Detection	Support
Privacy Masking	Support

Audio	
Compression	G.711, RAW_PCM
Bit Rate	8kbps, 16kps, 64kbps
Network	
Protocols	IPv4/IPv6, 802.1x, HTTP, HTTPS, TCP/IP, UDP/IP, RTSP, DHCP, NTP, RTCP/RTP, PPPoE, SMTP, DNS, UPnP, FTP, ARP, SNMP, TLS/SSL
Interoperability	ONVIF, SDK, CGI
Streaming Method	Unicast
Max. User Access	10 Users
Web Viewer	<IE11, Chrome, Firefox
Management Software	CMS
Intelligence	
IVS	Intrusion, Single line crossing, Double line crossing, Loitering, Wrong way, People counting Support alarm triggering by specified target types (human and vehicle)
Interface	
Ethernet	1 Ethernet (10/100 Base-T) RJ-45 Connector
Audio	1ch Input, 1ch Output
Alarm	1ch Input, 1ch Output
RS485	Support
CVBS Output	Support
Reset Button	Support
Storage	Built-in Micro SD slot, up to 128G
Electrical	
Power Supply	DC12V/AC24V/POE (IEEE 802.3af)
Power Consumption	Max 5 W
Operating Temperature	Starting Temperature: -10°C ~ 50°C (14°F ~ 122°F) Working Temperature: -20°C ~ 50°C (-4°F ~ 122°F) Working Temperature with Blower and Heater : -40°C ~ 60°C (-40°F ~ 140°F)
Operating Humidity	Less than 90% RH
Ingress Protection	N/A
Certifications	CE/FCC
Casing	Metal
Dimensions	150.2 x 75 x 69.7 mm (5.91" x 2.95" x 2.74")
Net Weight	0.4 kg (0.88 lb)

## Dimensions(mm)



## Accessories

Optional:

